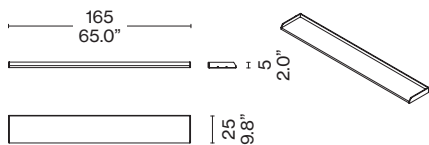
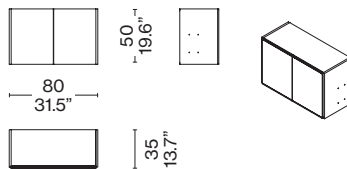


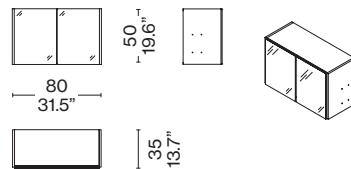
835 16/26/36



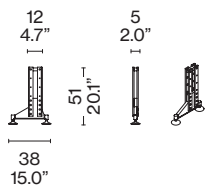
835 17/27/37 WL/WP



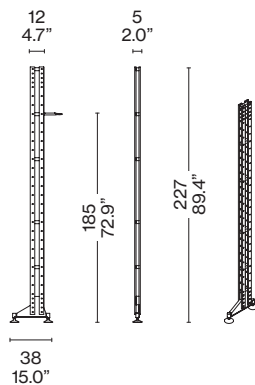
835 27 Z0/Z1/Z2



835 18/28/38 WL

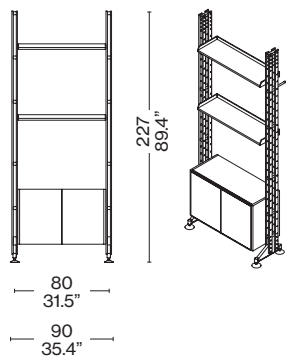


835 18/28/38

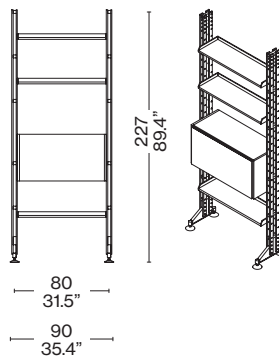


COMPOSIZIONI SUGGERITE (su Frassino tinto nero) / SUGGESTED COMPOSITIONS (based upon ashwood stained black)

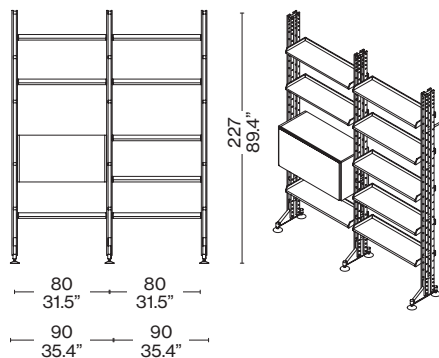
2x 835 28 + 2x 835 23 + 835 27



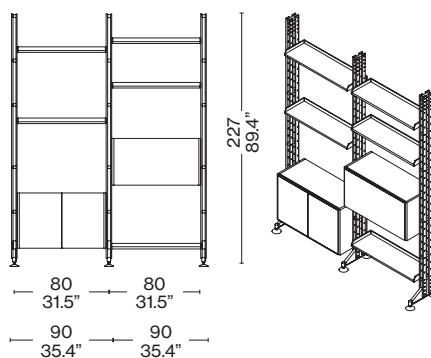
2x 835 28 + 3x 835 23 + 835 25



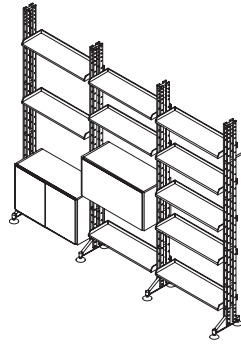
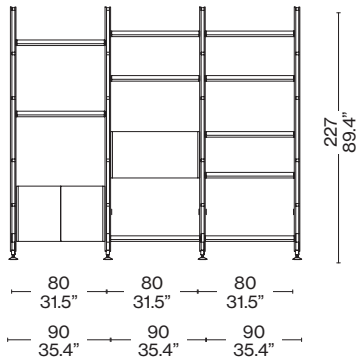
3x 835 28 + 8x 835 23 + 835 25



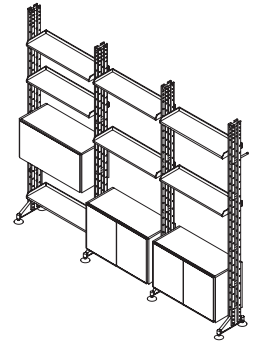
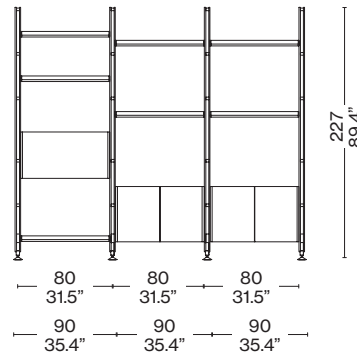
3x 835 28 + 5x 835 23 + 835 25 + 835 27



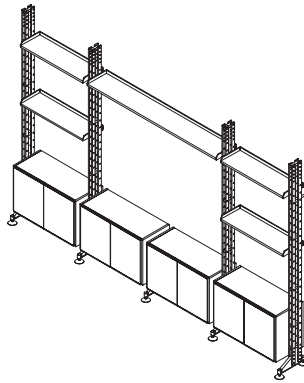
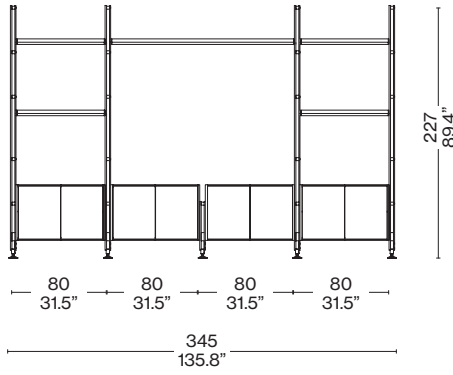
4x 835 28 + 10x 835 23 + 835 25 + 835 27



4x 835 28 + 7x 835 23 + 2x 835 27 + 835 25



4x 835 28 + 835 28 WL + 4x 835 23 + 835 26 + 1x 835 27 WL + 1x 835 27 WP + 2 x 835 27



4x 835 28 + 835 28 WL + 6x 835 23 + 835 26 + 835 27 WP + 835 27 WL

